



Quick Start Guide

使用产品前请阅读使用说明

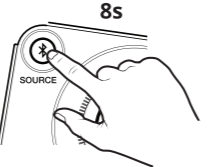
Model No. / 型號 / 型号: MF8460

PN: 03MF846000000 Rev A

CONTROLS

		<ul style="list-style-type: none"> i) Power On: Source Color
		<ul style="list-style-type: none"> ii) Power Off: Solid Red
		<ul style="list-style-type: none"> iii) USB Audio: Solid Purple iv) Bluetooth: Solid Blue
		<ul style="list-style-type: none"> v) Bluetooth Pairing: Blinking Blue vi) Bluetooth Paired: Solid Blue
		N/A
		N/A
		<ul style="list-style-type: none"> vii) USB Audio: Glow Purple viii) Bluetooth: Glow Blue

MASTER RESET



TECHNICAL SPECIFICATIONS

Power Output: Up to 12W RMS, 24W Peak Power
Frequency Response: 68–20,000 Hz
SNR: ≥ 75 dB

Bluetooth Version: Bluetooth 5.3

Operating Frequency: 2402–2480 MHz

Operating Range: Up to 10m / 33 ft, measured in open space. Walls and structures may affect range of device

Maximum RF Output Power: 4 dBm

Supported Bluetooth Profiles:
 -A2DP (Advanced Audio Distribution Profile),
 -AVRCP (Audio / Video Remote Control Profile)

Supported Codes: SBC

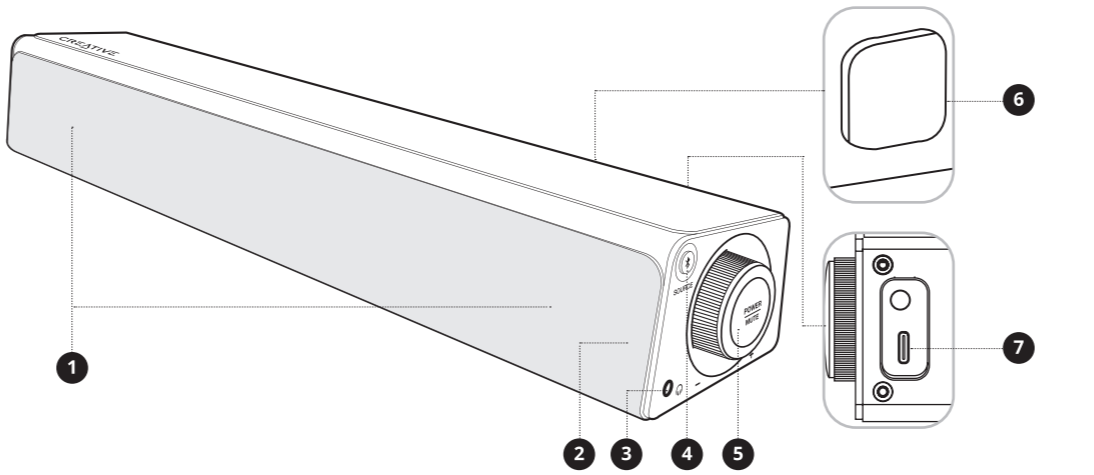
Soundbar Input rating: 5V ≍ 3.0 A

Maximum Operating Temperature: 45°C

OTHER INFORMATION

Please visit creative.com/compliance/StageSEmini for the user guide, safety and regulatory information. Please visit creative.com/support/StageSEmini for all other support related to your product.

OVERVIEW



- 1) Dual Custom-tuned Full-range Drivers
- 2) LED Indicator
- 3) 3.5 mm Headphone Output Port
- 4) Multifunction Button (Bluetooth® Connectivity / Source Switching)
- 5) Volume Knob
- 6) Built-in Rear Port Tube
- 7) USB-C Port (USB Power and USB Audio)

FIRMWARE UPDATE

To update the firmware of Creative Stage SE mini, visit creative.com/support/StageSEmini. If an update is available, locate the firmware file on the Support page to download. A PC is required to perform this action. Once downloaded, copy the file onto an external USB drive and plug it into the USB-C port on the back of the soundbar.

Press and hold the Multifunction button for 8 seconds to perform a Master Reset. Upon completion, a voice prompt will be triggered. “Reset To Factory Default”, and the soundbar will revert to its default state.

Master Reset is reserved for cases where users encounter issues while the soundbar is in use or during situations such as: Bluetooth Pairing failure, random LED display blinks, or to reset all data.

FIRMWARE UPDATE

To update the firmware of Creative Stage SE mini, visit creative.com/support/StageSEmini. If an update is available, locate the firmware file on the Support page to download. A PC is required to perform this action. Once downloaded, copy the file onto an external USB drive and plug it into the USB-C port on the back of the soundbar.

[EN]	Hereby, Creative Labs Pte. Ltd. declares the Bluetooth Speaker, model no. MF8460 to be in compliance with Directive 2014/53/EU and Radio Equipment Regulations 2017. The full text of the EU and UK declaration of conformity is available at http://www.creative.com/EUDoC .
[FR]	Par la présente, Creative Labs Pte. Ltd. déclare ce Enceinte Bluetooth que le modèle n° MF8460 est conforme à la Directive 2014/53/UE. L'intégralité du texte de la déclaration de conformité européenne est disponible sur http://www.creative.com/EUDoC .
[DE]	Hiermit erklärt Creative Labs Pte. Ltd. dass Bluetooth Lautsprecher, Modellnr. MF8460 der Richtlinie 2014/53/EU entspricht. Der vollständige Text der EU-Konformitätsklärung ist unter http://www.creative.com/EUDoC verfügbar.
[ES]	Por el presente, Creative Labs Pte. Ltd. declara que el Altoparlante Bluetooth, modelo n° MF8460 cumple con lo establecido en la Directiva 2014/53/UE. El texto completo de declaración de conformidad de la UE está disponible en http://www.creative.com/EUDoC .
[PT]	Creative Labs Pte. Ltd. declara que o Altoparlante Bluetooth, modelo n.º MF8460 é conforme à Diretiva 2014/53/UE. O texto completo da declaração de conformidade UE é disponível em http://www.creative.com/EUDoC .
[NL]	Creative Labs Pte. Ltd. verklaart hierbij dat het Bluetooth luidspreker, modelnummer MF8460 in overeenstemming is met Richtlijn 2014/53/UE. De volledige tekst van de EU-verklaring van overeenstemming is beschikbaar op http://www.creative.com/EUDoC .
[PT]	Através do presente documento, a Creative Labs Pte. Ltd. declara que Coluna Bluetooth, modelo n.º MF8460 está em conformidade com a Diretiva 2014/53/UE. O texto completo da declaração de conformidade da UE está disponível em http://www.creative.com/EUDoC .
[DA]	Hermed erklærer Creative Labs Pte. Ltd. at Bluetooth-højttaler, model nr. MF8460 overholder direktivet 2014/53/UE. Den fulde tekst i EU-erklæringen om konformitet er tilgængelig på http://www.creative.com/EUDoC .

[SV]	Härmed förklarar Creative Labs Pte. Ltd. Bluetooth-högtalare, att modell nr. MF8460 uppfyller direktiv 2014/53/UE. Den fullständiga texten av EU-Deklaration om överensstämmelse finns på http://www.creative.com/EUDoC .
[NO]	Creative Labs Pte. Ltd. erklærer herved den Bluetooth-høytaler, at modell nr. MF8460 er i samsvar med direktiv 2014/53/UE. Den fullstendige teksten til EU-samsvarserklæringen er tilgjengelig på http://www.creative.com/EUDoC .
[FI]	Creative Labs Pte. Ltd. siten ilmoittaa, että Bluetooth-kaiutin, malli nro MF8460 täyttää direktiivin 2014/53/EU vaatimukset. Kaikien EU-vaatimustenmukaisuusvaatimusten saatavilla osoitteessa http://www.creative.com/EUDoC .
[EL]	Με το παρόν, η Creative Labs Pte. Ltd. δηλώνει ότι το προϊόν Bluetooth Ηχείο, μοντέλο nr MF8460 συμμορφώνεται με την Οδηγία Directive 2014/53/UE. Μπορείτε να βρείτε το πλήρες κείμενο για τη δήλωση της UE σχετικά με τη συμμόρφωση στο http://www.creative.com/EUDoC .
[PL]	Creative Labs Pte. Ltd. niniejszym oświadcza, że głośnik Bluetooth, model MF8460 jest zgodny z dyrektywą 2014/53/UE. Z pełnym tekstem deklaracji zgodności UE można zapoznać się pod adresem http://www.creative.com/EUDoC .
[SK]	Spoločnosť Creative Labs Pte. Ltd. týmto vyhlasuje, že Reproduktor Bluetooth, č. modelu MF8460, je v súlade so smernicou EÚ 2014/53/UE. Úplné znenie vyhlásenia o zhode EÚ je k dispozícii na lokalite http://www.creative.com/EUDoC .
[CZ]	Společnost Creative Labs Pte. Ltd. tímto prohlašuje, že výrobek Reproduktor Bluetooth, model č. MF8460 vyhovuje směrnici EÚ 2014/53/UE. Úplné znění EU prohlášení o shodě je k dispozici na http://www.creative.com/EUDoC .
[HU]	A Creative Labs Pte. Ltd. ezúttal kijelenti, hogy az új Bluetooth hangszóró termék, modellszámja MF8460, megfelel a 2014/53/EU irányelvben foglalt követelményeknek. Az EU megfelelőségi nyilatkozat teljes szövegét elérhető a következő címen: http://www.creative.com/EUDoC .
[RU]	Настоящим документом Creative Labs Pte. Ltd. заявляет, что Динамик с поддержкой Bluetooth, модель № MF8460 полностью соответствует Директиве 2014/53/ЕС. Полный текст Декларации о соответствии требованиям ЕС доступен на сайте http://www.creative.com/EUDoC .
[IT]	«Creative Labs Pte. Ltd.» dichiara, con il Bluetooth® parlante, modello n. MF8460, attinenza Direttiva 2014/53/UE in merito al «Bluetooth®». Viso ES attēkstikla deklarācija yra pateikta http://www.creative.com/EUDoC .



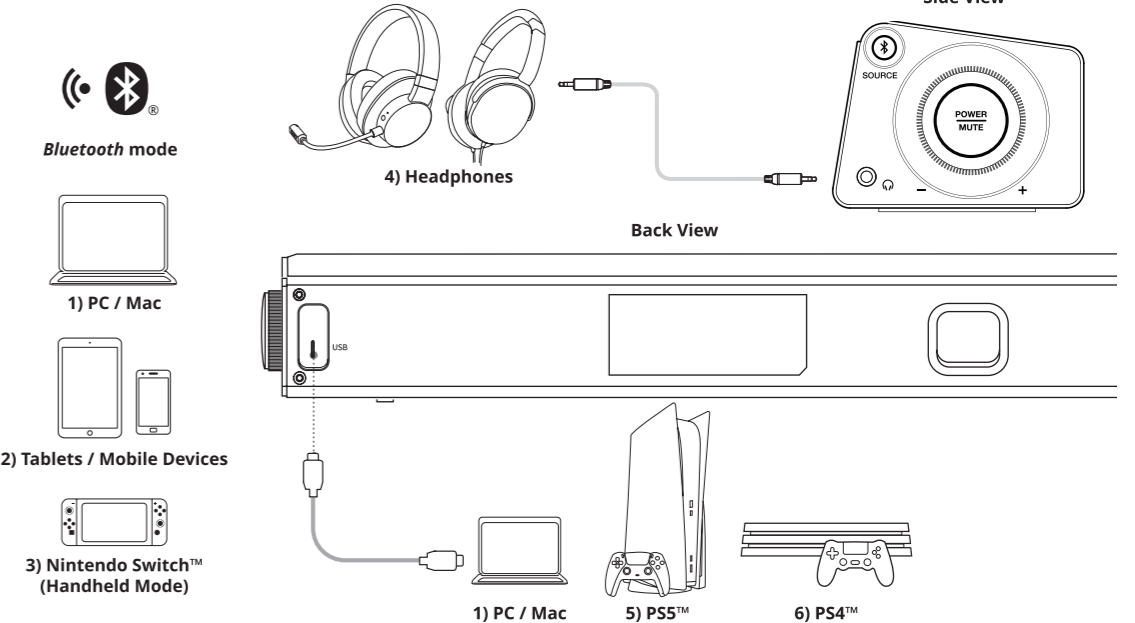
ТИП ОБОРУДОВАНИЯ: звуковая панель
 Home: Модель: Торговая марка: MF8460, Creative
 Питание: 5V ≍ 3A
 Производитель: Creative Labs Pte. Ltd.
 Страна происхождения: Китай

Для информации о продукте или гарантии, пожалуйста, посмотрите гарантийный талон из комплекта поставки от производителя (место и год): Указана на упаковке.

Данное устройство отвечает требованиям

Технического регламента Таможенного союза ТР ТС 020/2011 «Положения о соответствии совместимости технических средств» утв. Решением КТС от 09.12.2011 г. №87/17
 ТЕХНИЧЕСКИЙ РЕГЛАМЕНТ Евразийского экономического союза «Об ограничении применения опасных веществ в изделиях электротехники и радиоэлектронике» (ТР ЕАЭС 037/2016) ПРИНЯТ Решением Совета Евразийской экономической комиссии от 18 октября 2016 г. N. 113

CONNECTIVITY



PRODUCT REGISTRATION AND WARRANTY

Registering your product ensures you receive the most appropriate service and product support available. You can register your product at creative.com/register. Please note that your warranty rights are not dependent on registration.
 Creative warrants the included Creative-branded hardware product (the "Product") against defects in materials and workmanship ("Defects") for twelve (12) months (for the European Union, twenty-four (24) months (excluding all wear and tear), subject to certain exceptions as stated in the EU Directive 1979/44/EEC) from the date of purchase. The Creative Limited Hardware Warranty (the "Warranty") does not cover (but not limited to) consumable parts, such as batteries or protective coatings that, due to their nature, tend to diminish over time; normal wear and tear; accidents or misuse. You must provide Creative Proof of original purchase of the Product by a dated limited receipt to be eligible for the Warranty. If a Defect arises and a valid claim is received by the applicable Warranty Period, Creative will at its sole option, service the Product at no charge using new or refurbished replacement parts at our sole discretion. Warranty benefits are in addition to rights provided under local consumer laws.

For Australia only: Our goods come with guarantees that cannot be excluded under the Australian Consumer Law. You are entitled to a replacement or refund for a major failure and for compensation for any other reasonably foreseeable loss or damage. You are also entitled to have the goods repaired or replaced if the goods fail to be of acceptable quality and the failure does not amount to a major failure. Goods presented for repair may be replaced by refurbished goods of the same type rather than being repaired. Refurbished parts may be used to repair the goods. (Address: Creative Technology Ltd, 31 International Business Park, #05-01, Singapore 609521. Telephone: +65 6895 4101 (standard international call charges apply))



[EN] For the full terms and detailed information on the Warranty, please visit creative.com/compliance/StageSEmini, or scan the QR code. A printed copy is available upon request to Creative Labs, Inc., 1900 McCarthy Boulevard, Suite 103, Milpitas, CA 95035.

[DE]	PRODUKTREGISTRIERUNG UND GARANTIE Die vollständigen Bedingungen und detaillierte Informationen über die Garantie finden Sie unter creative.com/compliance/StageSEmini oder indem Sie den QR-Code scannen.
[FR]	ENREGISTREMENT ET GARANTIE DU PRODUIT Pour obtenir les conditions complètes et des informations détaillées sur la garantie, veuillez consulter le site suivant creative.com/compliance/StageSEmini ou scanner le code QR.
[IT]	REGISTRAZIONE DEL PRODOTTO E GARANZIA Tutti i termini e le informazioni dettagliate sulla garanzia sono disponibili visitando sul sito creative.com/compliance/StageSEmini o eseguendo la scansione del codice QR.
[ES]	REGISTRO Y GARANTÍA DEL PRODUCTO Para consultar todos los condiciones y la información detallada sobre la garantía, visite creative.com/compliance/StageSEmini o escanee el código QR.
[NL]	PRODUCTREGISTRATIE EN GARANTIE Voor de volledige voorwaarden en gedetailleerde garantie-informatie, ga naar creative.com/compliance/StageSEmini of scan de QR-code.

IT

PANORAMICA	<ul style="list-style-type: none"> 1) Driver a doppio range personalizzati 2) Indicatore LED 3) Porta cuffie da 3,5 mm 4) Manopola del volume 5) Tubo di uscita posteriore integrato 6) Porta USB-C (alimentazione USB e audio USB)
COLLEGAMENTO	<ul style="list-style-type: none"> Modality Bluetooth 1) PC / Mac 2) Tablet / dispositivi mobile 3) Nintendo Switch (modalità portatile)
Vista laterale	<ul style="list-style-type: none"> 4) Cuffie
Vista posterior	<ul style="list-style-type: none"> 1) PC / Mac 5) PS5 6) PS4

CONTROLLI	<ul style="list-style-type: none"> i) Accensione: Colore della fonte ii) Segnaletica: Rosso fisso iii) Audio USB: Viola fisso iv) Bluetooth: Blu fisso v) Modalità di associazione Bluetooth: lampeggiante blu vi) Bluetooth associato: Blu fisso vii) Audio USB: Lucce Viola viii) Bluetooth: Lucce Blu
------------------	----------------------------------------------------------------------------------------------------------------------------------------------------------------------------------------------------------------------------------------------------------------------------------------------------------------------------------------------------------------------------------------

MASTER RESET
 Tieni premuto il pulsante Multifunzione per 8 secondi per eseguire un ripristino completo. Al termine, si attiverà un messaggio vocale con il messaggio "Reset To Factory Default" e la soundbar tornerà allo stato predefinito.

The master reset is reserved for cases in which the user encounters problems while the soundbar is in use or during situations such as: Bluetooth pairing failure, random LED display blinks, or to reset all data.

NL

OVERZICHT	<ul style="list-style-type: none"> 1) Dubbele op maat afgestemde full-range drivers 2) LED-indicator 3) 3,5mm Hoofdtelefoonuitgang 4) Multifunctionele knop (Bluetooth-connectiviteit / bronwisseling) 5) Volumeknop 6) Ingebouwde achterste poortbus 7) USB-C-poort (USB-voeding en USB-Audio)
CONNECTIVITEIT	<ul style="list-style-type: none"> Modality Bluetooth-modus 1) PC / Mac 2) Tablets / mobiele apparaten 3) Nintendo Switch (Handheldmodus)
Zijzicht	<ul style="list-style-type: none"> 4) Hoofdtelefoon
Achteraanzicht	<ul style="list-style-type: none"> 1) PC / Mac 5) PS5 6) PS4

BEDIJENINGEN	<ul style="list-style-type: none"> i) Aan: Kleur van bron ii) UI: Continu rood iii) USB-audio: Continu paars iv) Bluetooth: Continu blauw v) Bluetooth-koppeling: Knipperend blauw vi) Bluetooth gekoppeld: Continu blauw vii) USB-audio: Gloeiend Paars viii) Bluetooth: Gloeiend Blauw
---------------------	------------------------------------------------------------------------------------------------------------------------------------------------------------------------------------------------------------------------------------------------------------------------------------------------------------------------------------------------------------------------

OTRA INFORMACIÓN
 Visite creative.com/compliance/StageSEmini para la guía de usuario, información de seguridad y normativas e información sobre ERP cuando corresponda. Por favor, visite creative.com/support/StageSEmini para cualquier otro tipo de soporte relacionado con su producto.

DE	<ul style="list-style-type: none"> ÜBERBLICK 1) Dual angepasste Vollbereichstreiber 2) LED-Anzeige 3) 3,5-mm-Kopfhörerausgang 4) Multifunktionsknopf (Bluetooth-Verbindung/Quellenumschaltung) 5) Lautstärkeregler 6) Integrierter Rückenanhranschluss 7) USB-C-Anschluss (USB-Strom und USB-Audio) 	<ul style="list-style-type: none"> FIRMWARE-UPDATE Um die Firmware der Creative Stage SE mini zu aktualisieren, besuchen Sie creative.com/support/StageSEmini. Wenn ein Update verfügbar ist, suchen Sie auf der Support-Seite nach der Firmware-Datei zum Herunterladen. Ein PC ist erforderlich, um diese Aktion durchzuführen. Nach dem Herunterladen kopieren Sie die Datei auf einen externen USB-Stick und stecken Sie diesen in den USB-C-Anschluss auf der Rückseite der Soundbar.
	<ul style="list-style-type: none"> TECHNISCHE SPEZIFIKATIONEN Ausgangsleistung: Up to 12W RMS, 24W Spitzenleistung Frequenzgang: 68–20,000 Hz Rauschstand: ≥ 75 dB Bluetooth-Version: Bluetooth 5.3 Arbeitsbereich: Bis zu 10 m gemessen im offenen Raum. Wände und Bauten können die Reichweite des Gerätes beeinträchtigen Maximale HF-Ausgangsleistung: 4 dBm Unterstützte Bluetooth-Profiles: - A2DP (Advanced Audio Distribution Profile) - AVRCP (Audio/Video Remote Control Profile) Unterstützte Codes: SBC Soundbar-Eingangsleistung: 5V ≍ 3.0 A Maximale Betriebstemperatur: 45°C 	
	<ul style="list-style-type: none"> KONNEKTIVITÄT Modality Bluetooth-Modus 1) PC / Mac 2) Tablets / Mobilgeräte 3) Nintendo Switch (Handheld-Modus) 	
	<ul style="list-style-type: none"> SEITENANSICHT 4) Kopfhörer 	
	<ul style="list-style-type: none"> RÜCKSEITENANSICHT 1) PC / Mac 5) PS5 6) PS4 	
	<ul style="list-style-type: none"> BEDIENUNGSLEISTE i) Einschalten: Quellfarbe ii) Ausschalten: Stetiges Rot iii) USB-Audio: Stetiges Lila iv) Bluetooth: Stetiges Blau v) Bluetooth-Kopplung: Blinkende Blau vi) Bluetooth gekoppelt: Stetiges Blau vii) USB-Audio: Lila leuchten viii) Bluetooth: Leuchte Blau 	

MASTER RESET
 Halten Sie die Multifunktions Taste 8 Sekunden lang gedrückt, um einen Master-Reset durchzuführen. Nach Abschluss wird eine Sprachansage mit der Ansage "Reset To Factory Default" (Auf Werkseinstellungen zurücksetzen) ausgelöst und die Soundbar kehrt in ihren Standardzustand zurück.

The master reset is reserved for cases where users encounter problems while the soundbar is in use or during situations such as: Bluetooth pairing failure, random LED blinks, or to reset all data.

Der Master-Reset ist für Fälle reserviert, in denen Benutzer auf Probleme stoßen, während die Soundbar verwendet wird, oder in Situationen wie: Bluetooth Pairing-Fehler, zufälliges LED-Blinken oder zum Zurücksetzen aller Daten.

REGISTER YOUR PRODUCT **TECHNICAL SUPPORT**

www.creative.com/register www.creative.com/support

© 2023 Creative Technology Ltd. All rights reserved. Creative and the Creative logo are trademarks or registered trademarks of Creative Technology Ltd in the United States and/or other countries. The *Bluetooth*® word mark and logo are owned by *Bluetooth SIG, Inc.* and any use of such marks by Creative Technology is under license. All other trademarks are the property of their respective owners and are hereby recognized as such. All specifications are subjected to change without notice. Actual product may differ slightly from images shown. Use of this product is subjected to a limited warranty.

